

## Quest® NetVault®

Cloud-ready data protection for hybrid data centers

The success of your business depends on your ability to protect, access and leverage your mission-critical data on a daily basis — and to restore it quickly in the event of an unexpected outage. Yet many enterprises use data protection software that sacrifices functionality for simplicity, or scalability for versatility.

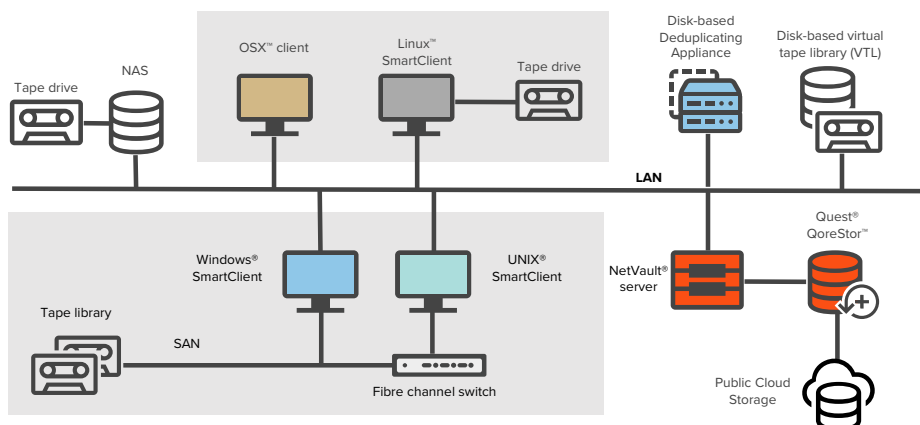
With Quest® NetVault®, high-growth organizations can benefit from enterprise-class, cross-platform data protection that's easy to use right out of the box and that scales easily to accommodate data growth.

With NetVault, you can protect a massive number of servers containing petabytes of data — from one web-based console. It supports multiple operating systems, applications, databases and storage devices. Such cross-platform versatility makes it easy for you to tailor NetVault to match the ever-changing and growing landscape of your IT infrastructure.

### FEATURES

**Physical and virtual support** — Protect both physical and virtual servers (VMware, Hyper-V and Nutanix Acropolis) with a single solution and gain consistent, reliable, point-and-click backup and restore. With NetVault, you can protect thousands of virtual machines across the enterprise and quickly recover your applications and data when necessary.

**Enterprise-wide control** — Configure, manage and monitor your backup and recovery operations from a web-based console. Convenient wizards guide you through common tasks, such as creating backup jobs, assigning policies, configuring storage devices and generating reports. Intuitive workflows and efficient navigation allow you to complete many workflows without traveling across multiple screens. Most operations can be performed from a single screen.



NetVault offers enterprise-level data protection with ease of use and flexibility.

NetVault provides comprehensive data protection for hybrid IT environments from one intuitive console.

### BENEFITS:

- Fast recovery time and reduced risk of data loss using Instant Recovery and CDP
- Lower total cost of ownership and simplified administration using a single solution to manage backups in complex, hybrid data centers
- Significant storage cost savings with client-side deduplication and the ability to use lower-cost storage
- More granular recovery points and faster recovery time through hardware snapshots for improved application availability
- Greater IT productivity with an intuitive, web-based management console
- Faster system recovery through bare-metal recovery
- Faster backup through high-performance multistreaming
- Improved security and control of system administration through AD-based roles and privileges

## SYSTEM REQUIREMENTS

### SOFTWARE

**Server platforms:** Microsoft Windows Server 2012, 2016, 2019, Linux (RHEL 7.x, SLES 12 SP3) and other Windows and Linux platforms\*

**Client platforms:** Windows (64-bit), most Linux platforms, Solaris (SPARC and x86/x86-64), HP-UX and MAC.

**Application support:** Office 365, Exchange, SQL, SharePoint, Oracle, DB2, MySQL, PostgreSQL, SAP, SAP HANA, MongoDB, Teradata, Nutanix Files and more.

**Virtualization platforms:** VMware, Hyper-V and Nutanix Acropolis

Protected by U.S. Patents #7,814,260; 7,913,043; 7,979,650; 8,086,782; 8,145,864; 8,171,247; 8,255,654; 8,271,755; 8,311,985; 8,452,731. Protected by Japanese, E.U., French and U.K. patents 1615131 and 05250687.0, and German patent DE602004002858. Additional patents pending.

**\*Note:** Systems requirements and supported platforms are updated regularly. Visit the [NetVault support site](#) for the most current information.

**Broad application protection** — Ensure the protection and availability of all of your business-critical applications and data, including Microsoft 365, Exchange, SQL Server, SharePoint, Oracle, MySQL, DB2, PostgreSQL, SAP, SAP HANA, MongoDB, Teradata and Nutanix Files. No scripting is required to run hot backup and recovery jobs.

**Ransomware protection** — NetVault offers backup immutability<sup>1</sup> such that data cannot be overwritten, changed, or deleted outside of the required retention settings. That includes QoreStor deduplicated data.

**Microsoft 365 protection** — Back up and recover Exchange Online mailboxes, calendars, contacts and emails; OneDrive files and folders; SharePoint Online sites and sub-sites; Azure Active Directory users, groups and service principals; Full Teams deployments, including configuration and logic; and Calendars, including groups and events. [Learn more.](#)

**Instant Restore<sup>1</sup>** — Instantly recover a virtual machine by mounting a VM image snapshot directly from the QoreStor repository. That includes deduplicated data.

**Continuous Data Protection (CDP)<sup>1</sup>** — A CDP innovation that performs incremental forever protection of VMware virtual machines providing instant recovery direct from deduplicated storage, keeping recovery times and storage costs to a minimum.

**Active Directory (AD) and Azure AD support** — Log into NetVault using your AD single sign-on credentials. Role-based access control regulates what operations administrators can perform (per the AD privileges assigned). AD and LDAP enable “push install” capability for NetVault clients. This capability is a big plus in large environments with hundreds of clients that need upgrades or installs.

**Application-aware storage array snapshots** — Perform significantly faster and easier backups, with recovery time objectives (RTOs) and recovery point objectives (RPOs) for even the most demanding business needs.

**Quest QoreStor<sup>®</sup> integration** — Get source-side deduplication to reduce storage costs and replicate backups offsite and to the cloud for disaster

recovery. NetVault Plus includes both NetVault and QoreStor.

**Extensive storage options** — Back up to a wide range of storage targets, including Azure Blob/S3-compatible object storage (on-premises and in the cloud), disk arrays, and tape libraries. Get advanced data protection for information stored on NAS devices. Leverage Network Data Management Protocol (NDMP) to reduce traffic over your LAN and maximize performance.

**High-performance multistreaming** — Save time and ease management by backing up multiple workloads, such as network drives, local drives and mount points, simultaneously. Break down large, single-volume jobs into multiple streams for increased performance.

**Strong security** — Meet regulatory requirements without sacrificing backup windows or deduplication performance with an encryption plug-in for CAST-128, AES-256 or CAST-256 algorithm support. Flexible job-level encryption lets you easily select which data to encrypt.

**FIPS Certification** — Address government data security requirements with NetVault Crypto Module, which uses encryption libraries certified for FIPS 140-2 Level 1.

**Synthetic full backups<sup>1</sup>** — Save time and space by creating new baseline full backups synthetically from backup data already written to QoreStor.

**Simple, straightforward licensing** — License by component, all-inclusive capacity or annual subscription, giving you incredible flexibility. With component-based licensing, you pick and choose which modules you need.

## ABOUT QUEST

Quest creates software solutions that make the benefits of new technology real in an increasingly complex IT landscape. From database and systems management, to Active Directory and Microsoft 365 management, and cyber security resilience, Quest helps customers solve their next IT challenge now. Quest Software. Where next meets now.

<sup>1</sup> Requires Quest QoreStor<sup>®</sup>